

RS002-102 Series

Medical Equipment Roll Stand

User Manual

CONTENT

1	Safety Information.....	2
2	Equipment Symbols.....	3
3	Area of application/ Intended use.....	3
4	Reporting obligation.....	3
5	Name of manufacturer.....	4
6	CE Mark.....	4
7	EU Authorized Representative.....	4
8	Manual Safekeeping.....	4
9	Specification.....	5
10	Roll Stand Parts Schematic.....	6
11	Assemble the roll stand.....	7
12	Maintenance and Adjustment.....	8
13	Cleaning and disinfection.....	9

1 Safety Information

1.1 Dangers

There are no dangers that refer to the product in general. Specific “Danger” statements may be given in the respective sections of this operation manual.

1.2 Warnings

WARNING

- **Do not dismantle the wall frame by yourself.**

The maintenance of the roll stand must be carried out by maintenance personnel trained and authorized by the company.

- **Handle packaging materials**

You must comply with local regulations or the hospital's waste disposal system. Packaging materials must be placed out of reach of children.

- **MORTAL DANGER BY ELECTRIC SHOCK**

The electric cables of ME equipment and ME systems may only be connected to the power source and to the medical device respectively after finishing installation. Prior to maintenance or dis-assembly all power cables must be disconnected from the power source.

1.3 Cautions

CAUTION

- **MOUNTING THE MEDICAL ELECTRICAL EQUIPMENT**

Only when all screws are tightened and securely fixed can the ME equipment be mounted.

1.4 Note








Note

- **Please select the corresponding medical equipment installation panel according to the model.**
-

2 Equipment Symbols

NOTE

- Some symbols may not appear on all equipment.

	Attention: Consult accompanying documents (this manual).
	Read Operator's Manual
	Manufacturer
	Manufacture date
	Serial number
	Lot number
	CE mark

3 Area of application/ Intended use

This Medical Equipment Roll Stand is intended to mount and position medical electrical equipment (hereafter referred to as ME equipment) and accessories to those and are used in operating theaters as well as treatment rooms as auxiliary devices for doctors and medical staff.

4 Reporting obligation

Reporting obligation

Any serious incident that has occurred in relation to the device should be reported to the manufacturer and the competent authority of the Member State in which the user and/or patient is established.

9 Specification

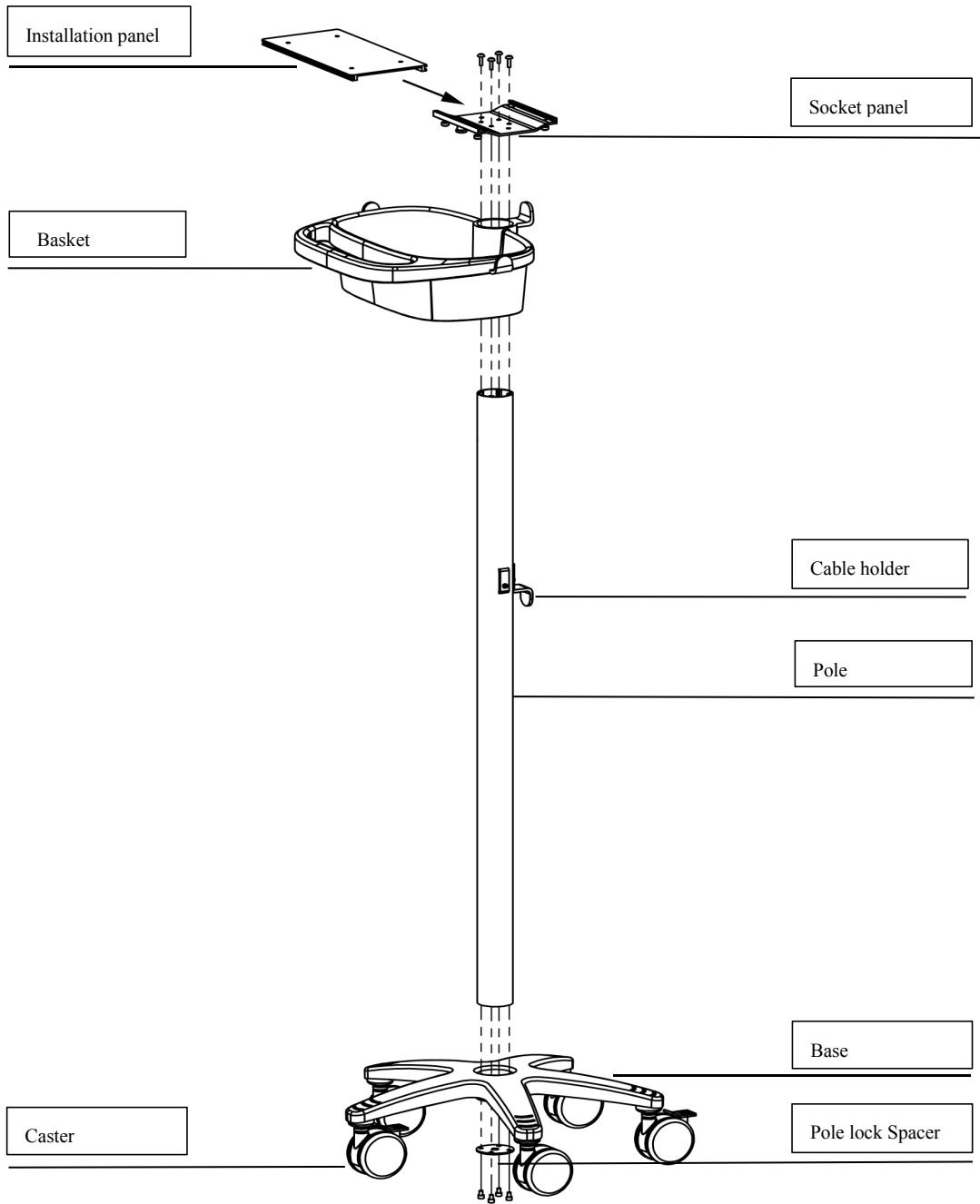
9.1 Hardware Specifications

Model	CORS002-x	
Photo		
Brand	Medeleq	
Load Capacity	7.5KG as Standard <u>18KG with extra counter weight</u>	
Angle of pitch	0° Fixed as Standard <u>± 15° with optional accessories</u> <u>± 150° with optional accessories</u>	
Trolley Size	580*580*1000mm	
Height	1000mm	
Basket	Plastic with handle(300*280*105mm)	
Material	Aluminum alloy+Sheet metal+ABS	
Counter Weight	Optional , 3.15kg	
Package Size	80*80*20cm (Standard, 2PCS in 1 Carton)	<u>78*63*21.5cm</u> <u>(Optional, 1PCS in 1 Carton)</u>
Net Weight	9.5 kg (Standard, 2PCS)	4.75kg (Standard, 1PCS)
Gross Weight	12.5 kg (Standard, 2PCS)	7.25kg (Standard, 1PCS)
Certificates	ISO9001/ROSH/FDA	

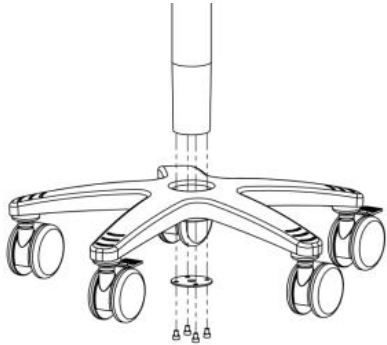
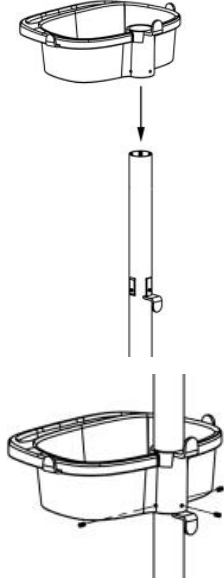
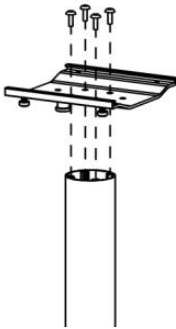
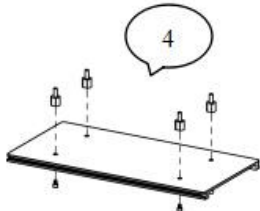
9.2 Environmental Specifications

Temperature range	Operating	0°C~+40°C
	Storage	-40°C~+70°C
Humidity range	Operating	15% - 95 %, non-condensing
	Storage	10% - 95 %, non-condensing
Altitude range	Operating	-500 ~ +4,600 m (57.0kPa~106.0kPa)
	Storage	-500 ~ + 11,175 m (50.0kPa~106.0kPa)

10 Roll Stand Parts Schematic

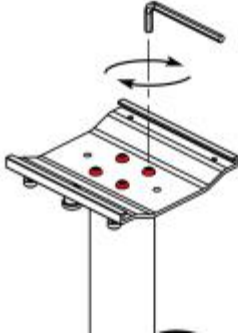
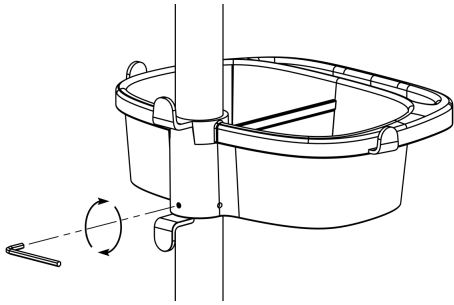
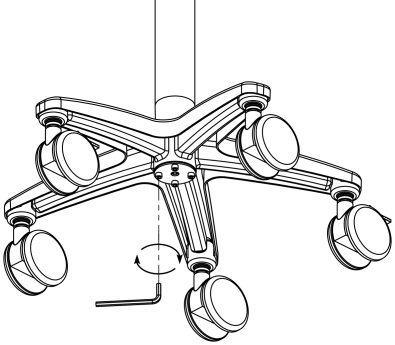


11 Assemble the roll stand

<p>1</p>	<p>Install the pole</p> <ul style="list-style-type: none"> - Insert Roll Stand Pole to the base -Use 4 PCS hex screws and spacer to lock the pole. 	
<p>2</p>	<p>Install the basket</p> <ul style="list-style-type: none"> - Adjust the plastic basket to the gasket on the pole , Tighten the plastic lock ring by hex screws - Use 3 hex screws to fix the basket to the pole 	
<p>3</p>	<p>Install the socket panel</p> <ul style="list-style-type: none"> - Use 2 hex screws to lock the socket plate pole. 	
<p>4</p>	<ul style="list-style-type: none"> - Put 4 units plastic spacer on the installation panel - Use 4 hex screws to install patient monitor to the installation panel - Insert the installation panel to tilt panel. 	

12 Maintenance and Adjustment.

Very little maintenance is required during the life span of the roll stand, however it is recommended to check all pivot /swivel points as well as all bearing points regularly . Please check all screws on a regular basis (at least once a year) and tighten them if necessary.

No.	Items	Reference photo	Cycle
1	Socket Channel screw		12month
2	Basket screw		12month
3	Pole lock screw		12month

13 Cleaning and disinfection

This roll stand may be cleaned with mild , non-abrasive solutions commonly used in hospital environment (e.go diluted bleach , ammonia , or alcohol solutions).

The surface finish may be permanently damaged by strong chemicals and solvents such as acetone and trichloroethylene.

Do not use steel wool or other abrasive materials. Avoid all liquids entering the roll stand.

CAUTION: Medeleq or its distributors makes no claims concerning the efficacy of the disinfection process. Please consult your hospital's infection control manage.